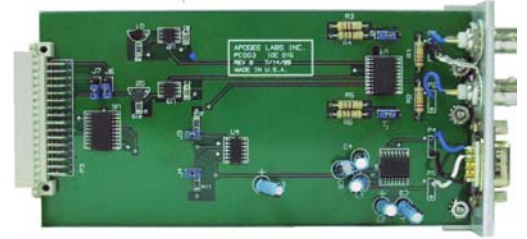


MODEL 2073 INTERFACER PRODUCT LINE

**IOC015**  
**TTL TO RS-232 CONVERTER**  
**MODULE**



REAR VIEW



SIDE VIEW

**FEATURES**

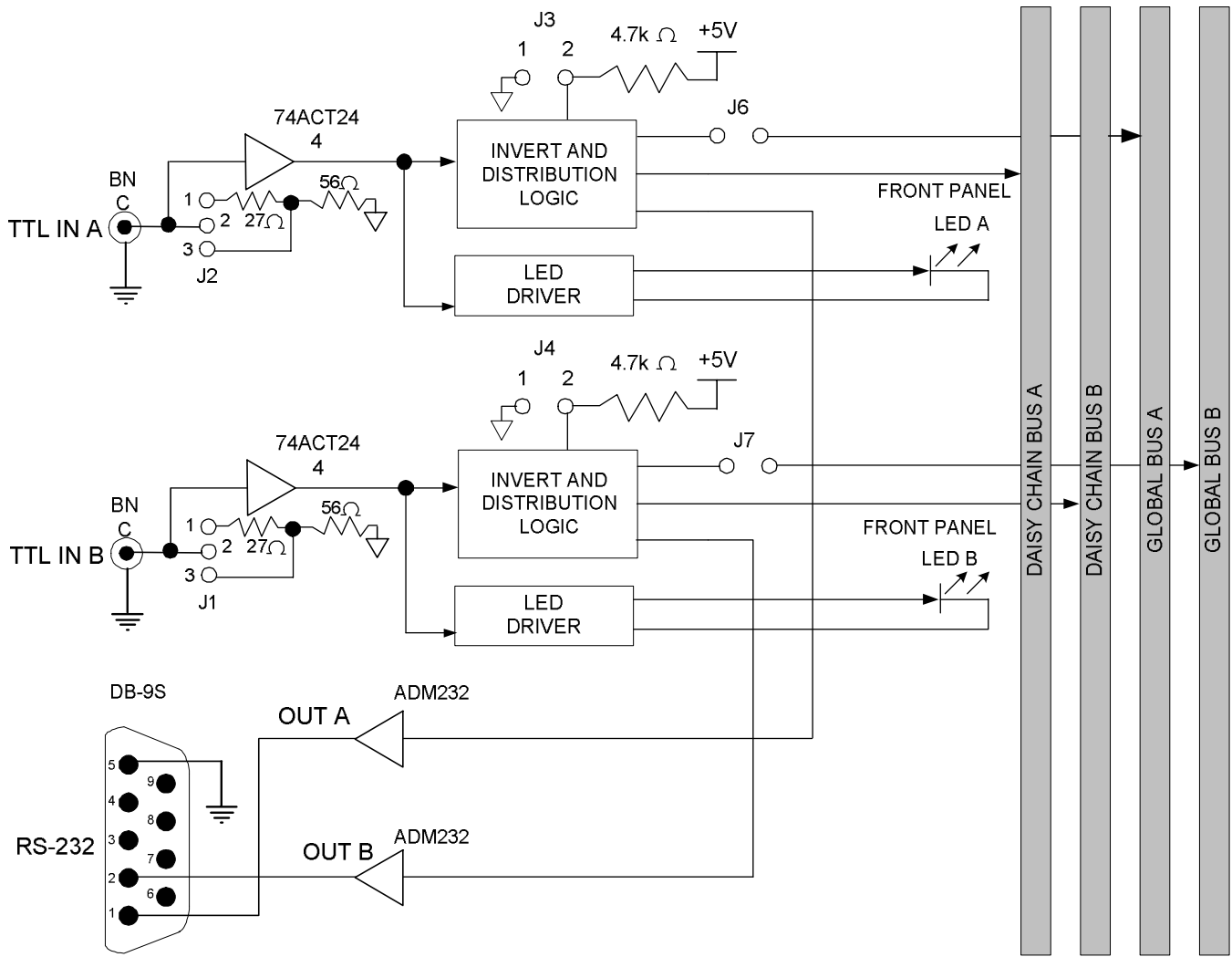
- Two Independent TTL level inputs
- Two Independent RS-232 level outputs
- Inputs illuminate front panel LEDs
- Selectable input termination (50 ohm/75 ohm)
- Drives Daisy Chain Bus and Global Bus
- Independent output polarity selection

**OVERVIEW**

The IOC015 module receives two independent TTL signals and translates them into two independent RS-232 level signals. Each input signal may be terminated into either 50 ohms or 75 ohms and be inverted independently. Table 1 contains the jumper settings for the IOC015.

The IOC015 uses two BNC input connectors and one DB-9S output connector.

The 2073 chassis is equipped with two input activity LED's for each card slot, which are labeled A and B. The A LED will illuminate when there is an active A input to the IOC015 card. The B LED will illuminate when there is an active B input. The IOC015 occupies one slot of the 14 available slots in the Model 2073 chassis.



**Figure 1: Model IOC015 Block Diagram**

**SPECIFICATIONS**

**GENERAL**

2 Independent channels  
 Single Slot Module (3" x 6" x 0.9")  
 Model 2073 Pluggable Interface Module

**INPUT**

TTL Level Inputs  
 BNC Connectors  
 50/75-ohm selectable termination

**OUTPUT**

RS-232 Level Outputs  
 DB-9S connector

**APPLICATION INFORMATION**

The IOC015 may be used to convert any two TTL level signals to two RS-232 level signals. This helps join equipment with unlike interfaces by properly receiving and driving the signals.

The IOC015 may also be used in a distribution application where the daisy chain bus or global bus is used to distribute multiple copies of one or both input signals.

This module may also be plugged into Apogee Models:

- 2907 and 2908: Data Acquisition Mux/Demux
- 6801: 5 Channel BERT Operation
- 6804: Multi Channel Clock Recovery Unit

Apogee Labs Inc. products are sold by description only. Apogee Labs Inc. reserves the right to make changes in circuit design, software, hardware and/or specifications at any time without notice. Although Apogee Labs Inc. believes that the information provided is current and accurate, Apogee Labs Inc. does not assume any responsibility or liability for the use of any product described. It is the responsibility of the user to determine appropriate use of the product in any given application.

Table 1: IOC015 Module User-Configurable Jumper Settings

Jumper	Assignment
J1	Bridge 2-3 to terminate TTL in B into 75 ohms Bridge 1-2 to terminate TTL in B into 50 ohms
J2	Bridge 2-3 to terminate TTL in A into 75 ohms Bridge 1-2 to terminate TTL in A into 50 ohms
J3	Bridge to invert TTL IN A
J4	Bridge to invert TTL IN B
J6	Bridge to drive Global Bus A with TTL IN A
J7	Bridge to drive Global Bus B with TTL IN B