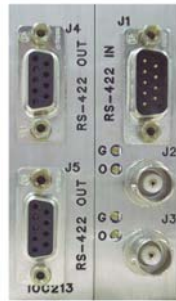
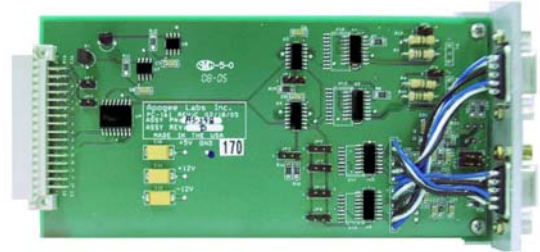


MODEL 2073 INTERFACER PRODUCT LINE

IOC213

RS-422 IN TO RS-422 OUT
AND
SINGLE ENDED
ADJUSTABLE OUT
CONVERTER MODULE

REAR VIEW



SIDE VIEW

FEATURES

- Two Independent RS-422 Level Inputs (A & B)
 - DB-9P Input connector
 - Each RS-422 Input Illuminates a Separate Activity LED on Front Panel
 - Selectable Input Termination (75 Ω or 120 Ω)
 - Inputs Drive Daisy Chain Bus and Global Bus
- Four Independent RS-422 Level Outputs
 - DB-9S Output Connectors
 - Jumper Selectable Data Source (A or B)
 - High Current Outputs Meet ANSI TIA/EIA-422-B Requirements
 - Independent Output Polarity Selection
- Two Independent Single-Ended Adjustable Outputs
 - Jumper Selectable Data Source (A or B)
 - Separate Gain and Offset Controls Each Output
 - High Current Output
 - Adjustable to 1 V RMS

OVERVIEW

The IOC213 Pluggable Interface Module (PIM) accepts two RS-422 Level input signals and produces four RS-422 level output signals and two Single Ended Adjustable output signals. Two RS-422 signals are input on a single DB-9P, buffered and reproduced times 2 and output on 2 DB-9S connectors. In addition, the two RS-422 input signals are converted to two high current Single-Ended signals and output on BNC. Gain and Offset control of the Single-Ended signals is provided at the rear panel of the IOC213. Maximum data rate for the IOC213 is 10 Mbit. The RS422 input can also drive the daisy chain bus and the global bus in the Model 2073 Chassis, enabling the user to create additional copies of the two input signals. Each RS-422 and Adjustable output of the IOC213 is jumper selectable between either of the two inputs. Output signal polarity is jumper configurable. The IOC213 requires two slots of the 14 available slots in the Model 2073 chassis.

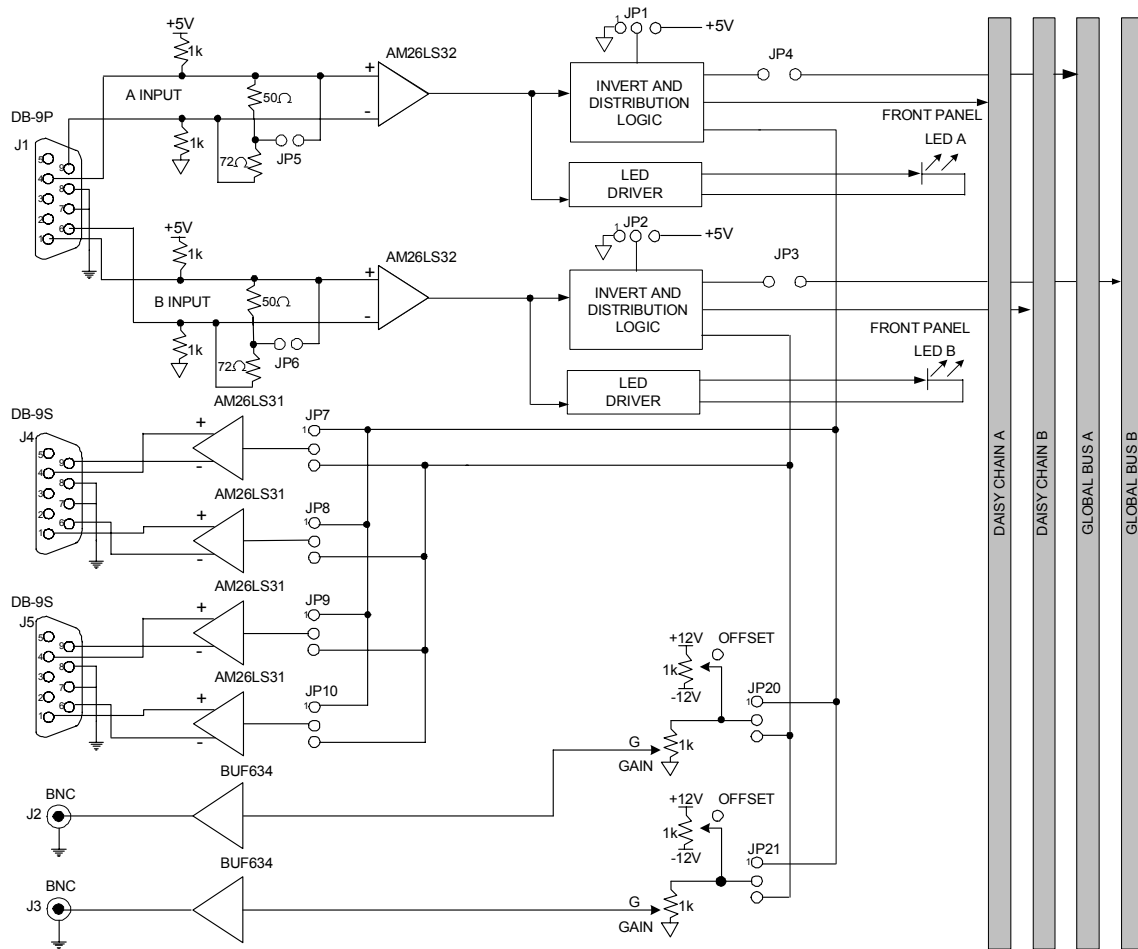


Figure 1: Model IOC213 Block Diagram

SPECIFICATIONS

GENERAL

2 Independent Input Channels
 2 Slot Module (3" x 6" x 1.8")
 Model 2073 Pluggable Interface Module

OUTPUT

Four RS-422 Level Outputs
 DB-9S
 High Current
 Meet ANSI Standard for RS-422

Two Adjustable Outputs
 BNC
 High Current
 Individual Gain and Offset Adjustment
 0V p-p to 4V p-p High Current Output
 ±4V p-p Offset adjustment
 Drives 200ft of Coaxial Cable

INPUT

Two RS-422 Level Inputs
 DB-9P connector
 75Ω or 120Ω selectable termination

APPLICATION INFORMATION

The IOC213 is used to terminate and drive two RS-422 signals to four RS-422 signals and two Adjustable signals. The Adjustable signals have individual gain and offset controls for adjusting the output for a wide range of applications including recorders and level sensitive switches.

This module can also be plugged into Apogee Models:
 2907 and 2908: Data Acquisition Mux/Demux
 6801: 5 Channel BERT Operation
 6804: Multi Channel Clock Recovery

Apogee Labs Inc. products are sold by description only. Apogee Labs Inc. reserves the right to make changes in circuit design, software, hardware and/or specifications at any time without notice. Although Apogee Labs Inc. believes that the information provided is current and accurate, Apogee Labs Inc. does not assume any responsibility or liability for the use of any product described. It is the responsibility of the user to determine appropriate use of the product in any given application

Jumper	Assignment
JP1	Short 1-2, Normal RS-422 In A, Short 2-3, Invert RS-422 In A
JP2	Short 1-2, Normal RS-422 In B, Short 2-3, Invert RS-422 In B
JP3	Short to Drive Global Bus B with RS-422 IN B
JP4	Short to Drive Global Bus A with RS-422 IN A
JP5	RS-422 Input A Termination – Open: 120Ω, Short: 75Ω
JP6	RS-422 Input B Termination – Open: 120Ω, Short: 75Ω
JP7	RS-422 Output A1 Signal Source – Short pins 1-2 for IN A, Short pins 2-3 for IN B
JP8	RS-422 Output B1 Signal Source – Short pins 1-2 for IN A, Short pins 2-3 for IN B
JP9	RS-422 Output A2 Signal Source – Short pins 1-2 for IN A, Short pins 2-3 for IN B
JP10	RS-422 Output B2 Signal Source – Short pins 1-2 for IN A, Short pins 2-3 for IN B
JP20	Adjustable Output J2 Signal Source – Short pins 1-2 for IN A, Short pins 2-3 for IN B
JP21	Adjustable Output J3 Signal Source – Short pins 1-2 for IN A, Short pins 2-3 for IN B