

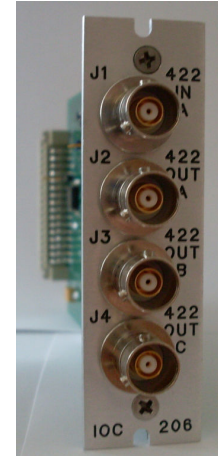


## IOC206 RS-422 TO RS-422 CONVERTER MODULE

**RS-422 Triax (1) Inputs, RS-422 Triax (3) Outputs**

### FEATURES

- One Independent RS-422 Level Input
- Three Independent RS-422 Level Outputs
- Inputs Illuminate Front Panel LED A
- Selectable Input Termination (75Ω and 124Ω)
- Drives Daisy Chain and Global Bus
- Independent Polarity Selection
- Operates up to 35Mbps

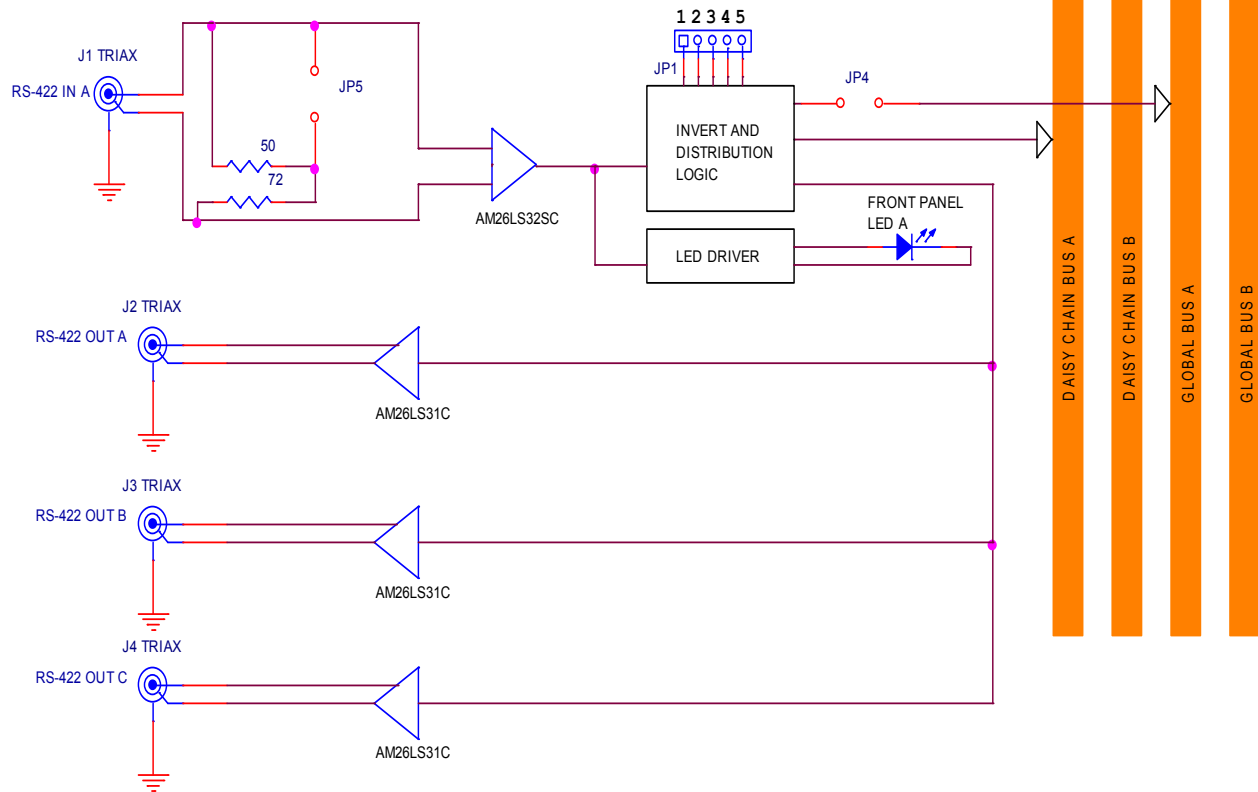


**IOC206 Module**

### OVERVIEW

The IOC206 Pluggable Interface Module (PIM) accepts one RS-422 Level input signal and produces three RS-422 level output signals. The IOC206 uses one Triax input connector, three Triax output connectors, and operates up to 35Mbps. Input termination is jumper selectable for either 75Ω or 125Ω. The IOC206 can also drive the daisy chain and global buses in the Model 2073 chassis enabling the user to create multiple copies of the output signals. The IOC206 requires one slot of the 14 available slots in the Model 2073 chassis.

JUMPERS	FUNCTION
JP1	Short pins 1-2, Open pins 4-5 to invert RS-422 IN A Open pins 1-2, Short pins 4-5 for non-inverted RS-422 IN A
JP4	Short pins 1-2 to drive Global Bus A, open to disable
JP5	Short pins 1-2 for 75 Ω RS-422 IN A input termination, Open for 124 Ω



Model IOC206 Block Diagram

## SPECIFICATIONS

### GENERAL

1 Independent RS-422 Input Channel  
 3 Independent RS-422 output Chanel  
 Single Slot Module (3" x 6" x 0.9")  
 Model 2073 Pluggable Interface Module

### INPUT

RS-422 level inputs  
 One Triax connector  
 75Ω / 124Ω selectable termination

### OUTPUT

RS-422 level outputs  
 Three Triax connectors

## APPLICATION INFORMATION

The IOC206 can be used to convert any RS-422 level signal to three RS-422 level signals. This helps join equipment with unlike interfaces by properly receiving and driving the signals.

The IOC206 can also be used in a distribution application where the daisy chain bus or global bus is used to distribute multiple copies of one or both input signals.

This module can also be plugged into Apogee Models:  
 2873: Configurable Interfacer Unit  
 6801: 5 Channel BERT Operation  
 2073S: Single Module Interfacer Chassis